

DATE _____

PERMIT NO: ENT-_____

MUSCATINE COUNTY ENTRANCE PERMIT

APPLICANT _____
(Owner or Owners of Record)

ADDRESS _____ PHONE _____

A permit is hereby requested to construct an entrance _____ feet in width, from right of way line to road traveled way, including necessary drainage structure.

911 Address of new entrance location (if available) _____

Proposed entrance is located in _____ Township, Sec _____, Twp _____, Range _____

Road Name _____, N S E W side of road. Location Flagged: Yes No

Entrance Surface Type: Granular Seal Coat Paving If paving, what will be placed: HMA PCC

Other details: _____

The applicant agrees that if granted a permit to construct the above-described entrance, the following stipulations shall govern:

1. Written approval of Muscatine County shall be obtained before any change, including surfacing, is made in the entrance or its location.
2. Entrance location shall not be approved if the sight distance is less than 400 feet on a gravel or seal coat road and 600 feet on a paved road. The actual sight distance at this location is _____ feet.
3. **The entrance, including drainage structure, grading and surfacing, shall be constructed by the applicant at the applicant's expense and shall thereafter be kept in repair and maintained by the applicant at his own expense.** Nothing in this stipulation, however, shall preclude the County from entering upon said entrance on highway right-of-way and performing necessary maintenance for the protection of the highway.
4. Construction, future repair or maintenance of said entrance shall be carried on in such a way as not to interfere with, or interrupt traffic on said highway, and the applicant shall take all reasonable precautions to protect and safeguard the lives and property of any person or persons, and shall save the County harmless of any damage or losses that may be sustained by any person or persons, on account of such construction, repair or maintenance operations.
5. The culvert pipe under the entrance shall be _____ inches in diameter and _____ feet in length, and of quality complying with the Iowa Department of Transportation's Standard specifications. The finished surface elevation of the driveway over the pipe or place where the pipe would normally be, shall be lower than shoulder elevation to prevent water draining onto the pavement or travel way. **The pipe, if required, shall be a new metal, concrete, or double wall plastic pipe. No used pipe or plastic field tile will be allowed. All future maintenance, including replacement, of this pipe shall be the responsibility of the applicant or successors or assigns of the applicant.**
6. All provisions herein relating to future repair or maintenance shall be binding on all successors or assigns of the applicant.
7. Stipulations and requirements contained herein are not intended to waive any greater requirements of local zoning ordinances.
8. Applicant's attention is directed to the fact that private property may not be used so as to obstruct or encumber the public highway right-of-way or interfere with the safety, comfort, and rights of public highway users.
9. Muscatine County reserves the right to alter, relocate or remove said entrance to accommodate future changes in traffic needs or highway design.
10. Entrance shall be constructed as shown on attached detail sheet.
11. Special Provisions as stated below or on attached sheet.
12. The applicant shall be responsible for seeding all of the areas disturbed by the construction of the entrance. The applicant shall also repair and re-seed, if necessary, all eroded areas until the seeding is well established.
13. **The applicant shall have 180 days from the date the location is approved to construct this entrance. If the entrance is not completed within the 180 days, the applicant will have to re-apply for a new permit.**

APPLICANT SIGNATURE _____ DATE _____

*** FOR COUNTY OFFICE USE ONLY ***

Nearest Intersection _____, Distance from _____ Culvert Required: Yes No

Special Provisions: _____

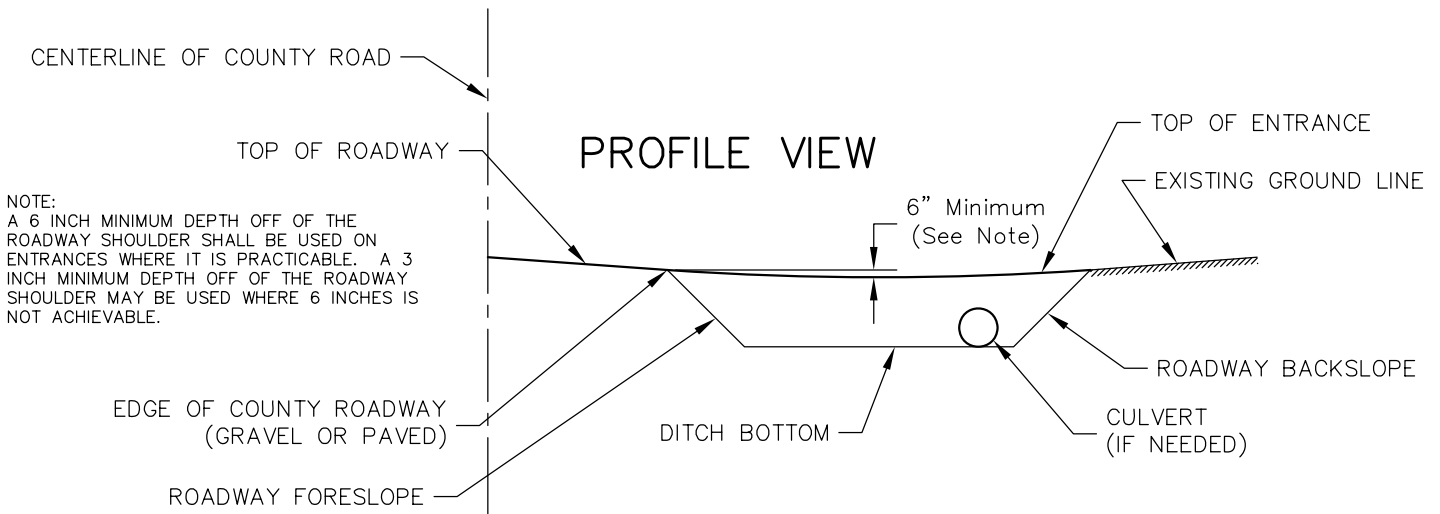
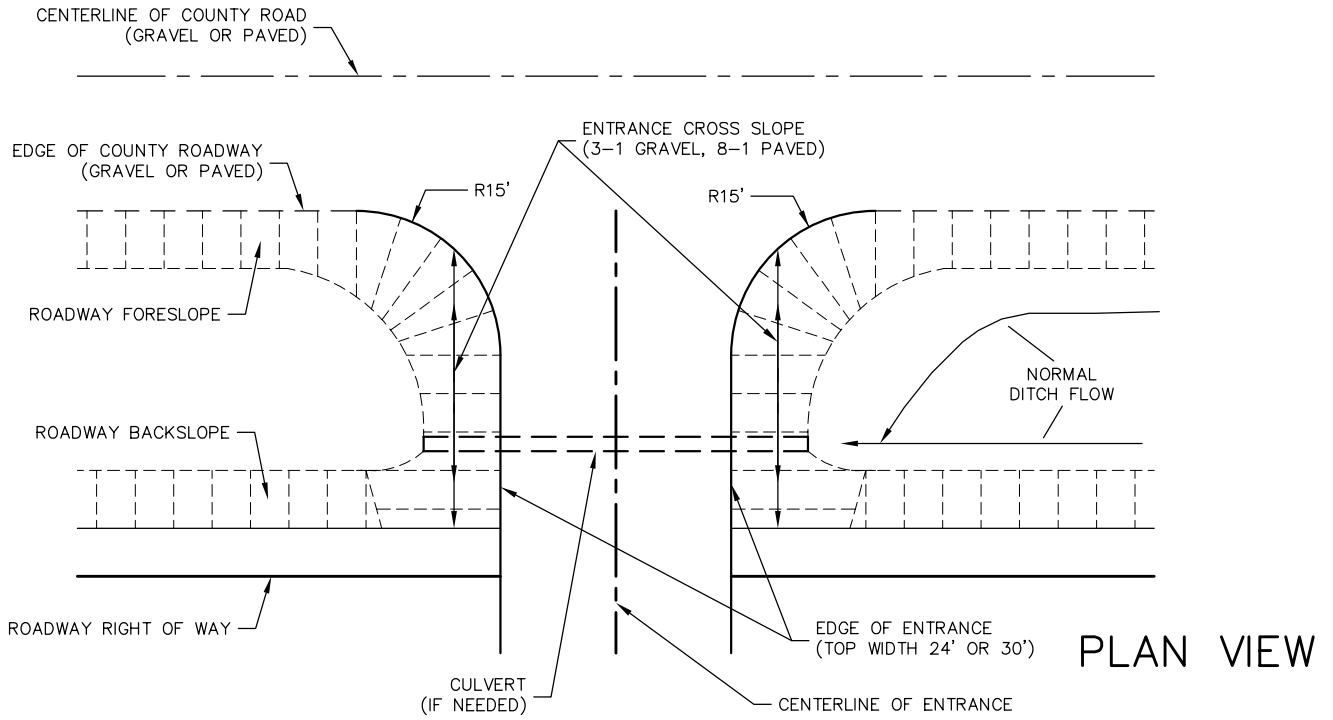
LOCATION APPROVED BY _____ DATE _____

ENTRANCE GRANTED BY _____ DATE _____

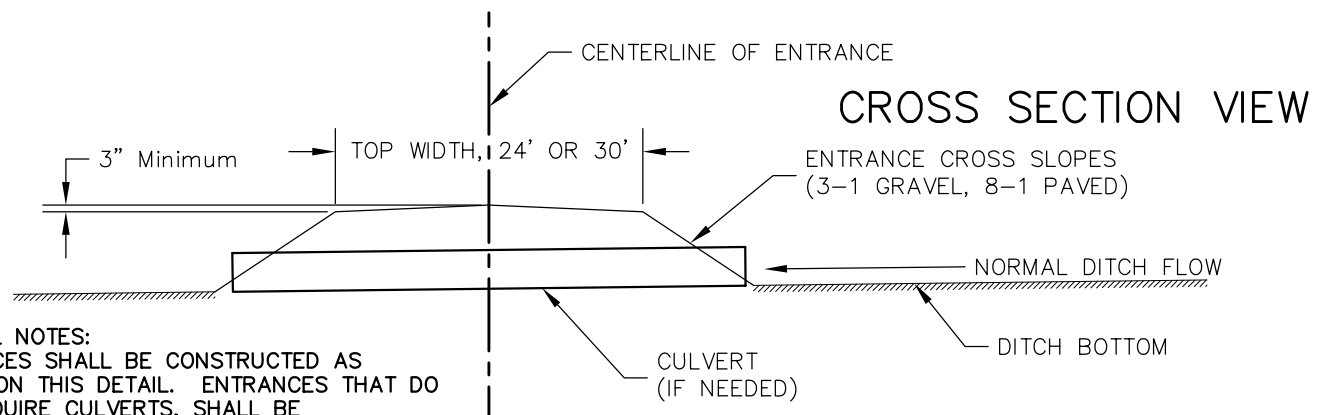
Assistant to Muscatine County Engineer

Latitude: _____
Longitude: _____

MUSCATINE COUNTY ENTRANCE DETAIL SHEET



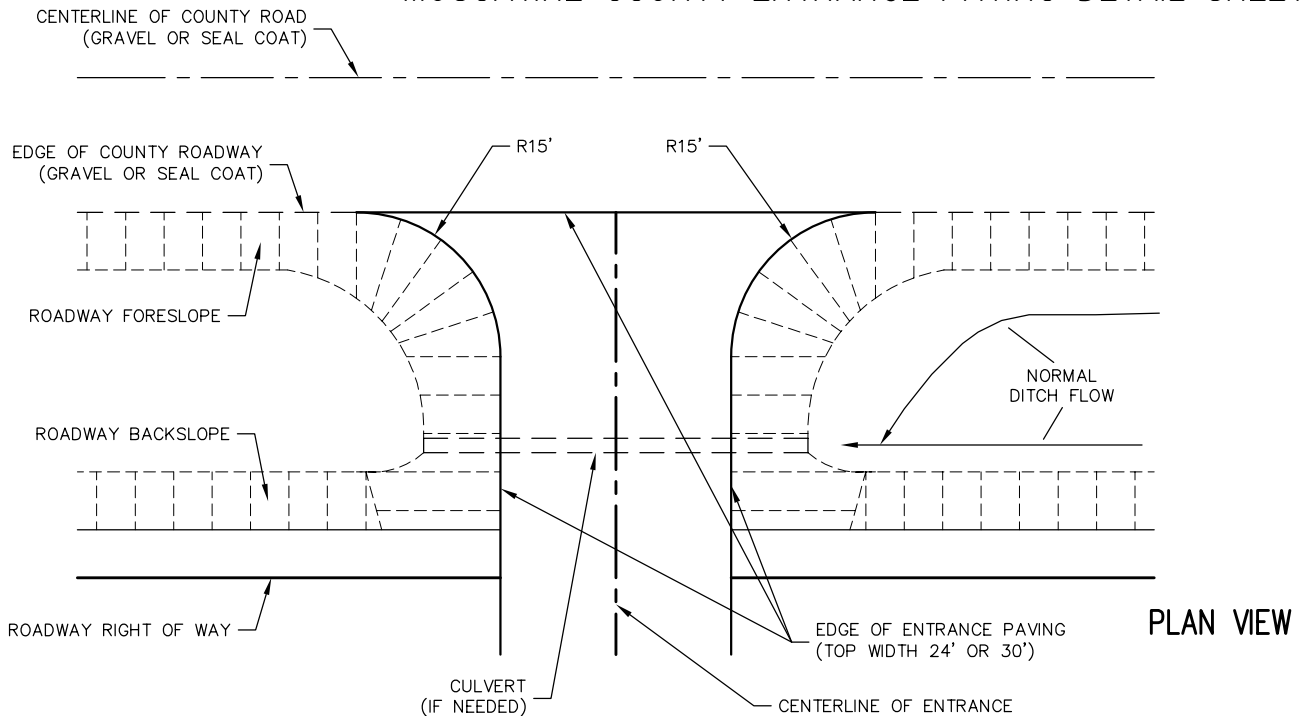
NOTE:
 A 6 INCH MINIMUM DEPTH OFF OF THE ROADWAY SHOULDER SHALL BE USED ON ENTRANCES WHERE IT IS PRACTICABLE. A 3 INCH MINIMUM DEPTH OFF OF THE ROADWAY SHOULDER MAY BE USED WHERE 6 INCHES IS NOT ACHIEVABLE.



GENERAL NOTES:
 ENTRANCES SHALL BE CONSTRUCTED AS SHOWN ON THIS DETAIL. ENTRANCES THAT DO NOT REQUIRE CULVERTS, SHALL BE CONSTRUCTED WITH 3-1 CROSS SLOPES (GRAVEL), AND 10-1 CROSS SLOPES (PAVED). CROSS SLOPES ARE SHOWN AS HORIZONTAL OVER VERTICAL.

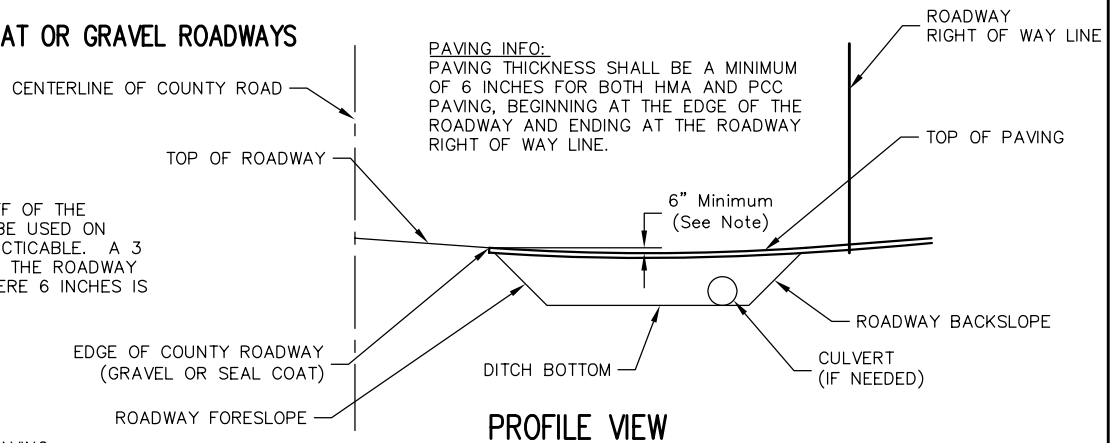
(REVISED 4/2/2002)

MUSCATINE COUNTY ENTRANCE PAVING DETAIL SHEET



PAVING DETAILS FOR SEAL COAT OR GRAVEL ROADWAYS

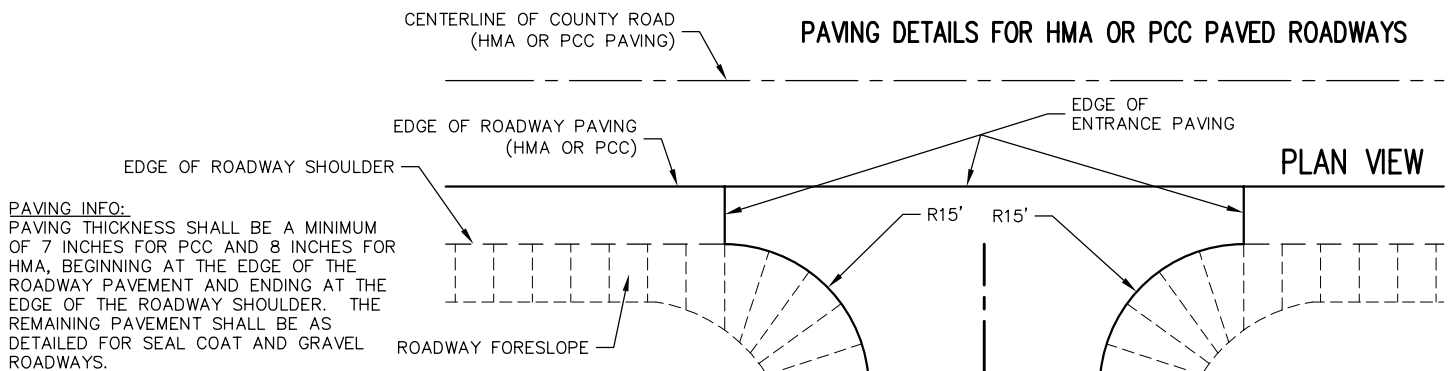
NOTE:
A 6 INCH MINIMUM DEPTH OFF OF THE ROADWAY SHOULDER SHALL BE USED ON ENTRANCES WHERE IT IS PRACTICABLE. A 3 INCH MINIMUM DEPTH OFF OF THE ROADWAY SHOULDER MAY BE USED WHERE 6 INCHES IS NOT ACHIEVABLE.



TERMS:

PCC - PORTLAND CEMENT CONCRETE PAVING
HMA - HOT MIX ASPHALT PAVING

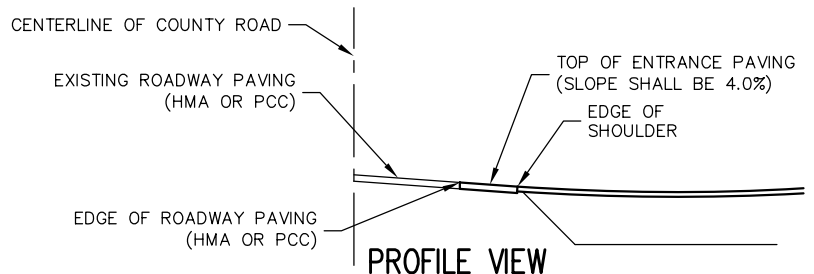
PAVING DETAILS FOR HMA OR PCC PAVED ROADWAYS



PAVING INFO:
PAVING THICKNESS SHALL BE A MINIMUM OF 7 INCHES FOR PCC AND 8 INCHES FOR HMA, BEGINNING AT THE EDGE OF THE ROADWAY PAVEMENT AND ENDING AT THE EDGE OF THE ROADWAY SHOULDER. THE REMAINING PAVEMENT SHALL BE AS DETAILED FOR SEAL COAT AND GRAVEL ROADWAYS.

GENERAL NOTES:

ENTRANCE PAVING SHALL BE CONSTRUCTED AS SHOWN ON THIS DETAIL. MUSCATINE COUNTY SHALL NOT BE RESPONSIBLE FOR MAINTAINING ENTRANCE PAVEMENT AFTER IT IS PLACED. MUSCATINE COUNTY SHALL NOT BE RESPONSIBLE FOR DAMAGE TO ENTRANCE PAVING THAT RESULT FROM ROUTINE MAINTAINENCE ACTIVITIES. (EX. SNOW REMOVAL, HAULING AND SPREADING ROAD ROCK, ETC.)



(REVISED 10/27/2003)